

Installation Guide

Cork Wall Tile

Written by Green Building Supply and approved by Amorim. May 21, 2024



GREEN BUILDING SUPPLY

SAFE ■ SUSTAINABLE ■ SMART

Do's and Don'ts of Cork Wall Tile Installation

Before Installation

Dekwall is intended for interior use only. The room conditions must be 59-85° F and 35-65% relative humidity. Remove packaging and inspect the tiles in daylight for visible faults or damages. Shuffle the tiles in order to obtain the most pleasant blend of shades.

Allow tiles to acclimate

Allow the tiles to acclimate inside your room for 2-3 days under normal heat and humidity conditions.

Surface Prep

Proper substrate preparation is critical for success and taking shortcuts can result in installation problems and failures. Amorim cannot be held responsible for claims associated with improper surface conditions. Remove any existing substances that may interfere with the bonding of the adhesive:

- The substrate must be smooth, structurally sound and solid, permanently dry, and free from cracks, dust, dirt, oil, wax, varnish, shellac, and any adhesion-inhibiting substances.
- Gypsum plasters as well as any highly absorptive substrates must be primed with a water-based primer. Do not apply over wallpaper.
- Before applying the cork, the primer must be dried completely. For questionable surfaces, we recommend testing a small piece first.

Do not install over rough surfaces

Rough surfaces may require sanding to get proper adhesion. This includes popcorn ceilings, orange peel painted surfaces, plasters, adhesives or oil paint residues. These can be remedied by sanding or using a leveling compound. Priming is recommended for best adhesion.

Tools & Materials Needed

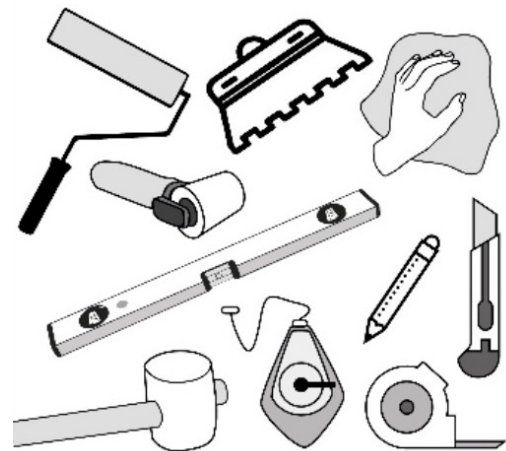


Wakol D3540 Adhesive

One gallon covers 180 SF when applied to both tile and wall.

This adhesive is specifically made for cork tile, and will not cause the cork to shrink like many other glues on the market. For this reason we only recommend using Wakol D3540 and do not recommend any other adhesives.

- 3/8" Nap Roller
- Rubber hammer
- Hand pressure J roller or rolling pin
- Tape measure
- Utility knife
- Pencil
- Straight edge or laser
- Chalk line
- Cloth



For questions before, during or after installation, please call us at 641-323-6111 or email help@greenbuildingsupply.com

Step by Step Instructions

❌ Don't rush to start

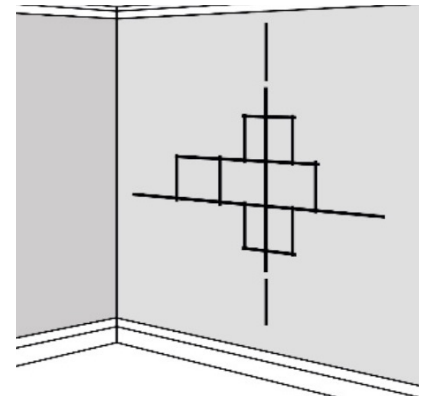
You only get one shot to get this right. The glue is extremely sticky so take the time to get your layout right before starting. Adjusting tiles after they are stuck is nearly impossible.

✅ Take your time to read the instructions

There is a careful balance of applying glue, allowing it to dry and flash off before applying it to the wall. Please pay careful attention to the time requirements for drying of the adhesive listed below.

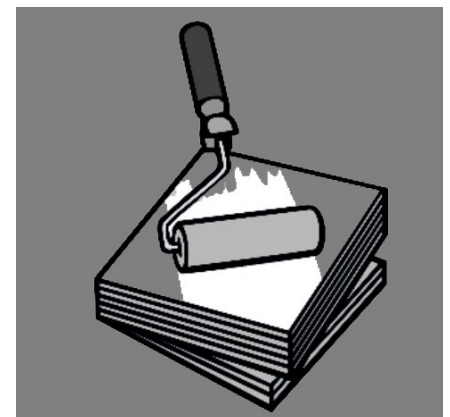
Wall Layout

- Find the center of the wall from left to right with a tape measure and mark a vertical line with a level or laser.
- Now do the same thing horizontally making a horizontal axis in the middle of the wall.
- Once the lines are drawn and you have all your tools ready, you can begin the application.



Apply Glue to Cork

- Find a large area in your room to spread some plastic or newspapers down which is the same size as your wall so you can lay all the tiles out to dry. This should be a hard surface - not carpet. Stir adhesive well before use.
- Apply the adhesive on the back of the cork tile with a 3/8" nap roller. Avoid adhesive pools.



✅ Allow glue on cork to dry for 60-90 min

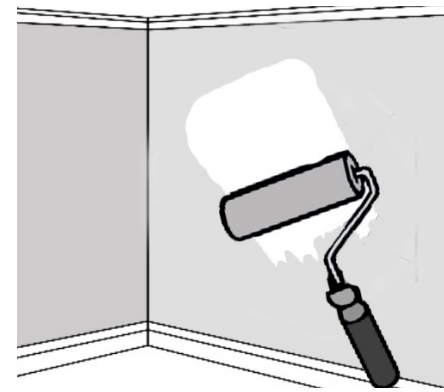
Let the glue dry or "flash off" for 60-90 minutes until the adhesive shows an evenly glossy film and is transparent and dry to the touch. You should be able to stick your finger in the glue and pull it off without any residue on your finger. If necessary, coated tiles may be stored for up to 24 hours if protected from light.

Apply Glue to Wall

- Using a 3/8" nap roller. Apply adhesive on the wall evenly and fully.

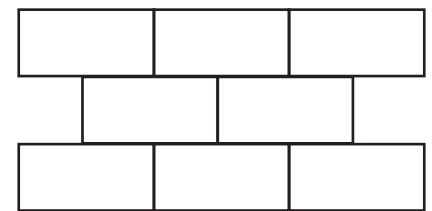
✔ Allow glue on wall to dry for 30-45 min

Let dry for 30-45 min for absorbent surfaces and 60 minutes for non-absorbent surfaces. The glue should be transparent and dry to the touch. (Maximum time before laying the tile is 2-3 hours. If your project is delayed beyond this point, you will need to re-apply the adhesive on the wall again.)



Install Cork

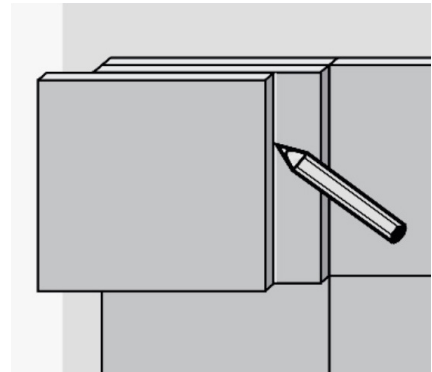
- Start by pressing pieces of cork tile in the center point of the wall where the two lines intersect. You may work your way across row by row either upwards to the ceiling or downwards to the floor.
- Be sure to fit the edges tightly together. Tiles should be installed as a “Brick-Bond” layout. To do this, you must stagger the seams by no less than 6” wide.
- Cut the last row piece to the correct size. Complete each row before starting the next.



BRICK BOND PATTERN

✘ Do not install with gaps

Contact adhesive does not allow adjustments after it is adhered. Once the tile touches the glue, it is immediately set and cannot be removed easily. So go slowly to ensure you fit the tile as tightly as possible.



CUT THE FINAL PIECE TO THE CORRECT SIZE

Roll and Apply Pressure

- Once fit, press firmly with hands, then use a rubber mallet to ensure every square inch of tile is bonded to the wall.
- Roll out firmly with a hand roller or rolling pin. Be sure edges and corners get rolled well.

✔ You are done

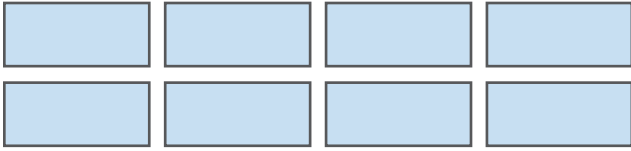
Congratulations! Enjoy your new cork wall.



HAND ROLLER

Installation Log

APPLY GLUE TO CORK



EXAMPLE

LOG

START	1:00 pm	
WAIT TO DRY 60-90 MINUTES		
READY FOR INSTALLATION	2:30 pm	
IF NEEDED - CAN BE STORED UP TO 24-HOURS	1:00 pm the next day	

APPLY GLUE TO WALL

BREAKUP LARGE WALLS INTO SECTIONS THAT YOU CAN COVER IN 2-3 HOURS.

SECTION #1	SECTION #2	SECTION #3
------------	------------	------------

START	2:00 pm	
WAIT TO DRY 30-45 MINUTES		
READY FOR INSTALLATION	2:45 pm	
WORKING TIME 2-3 HOURS	4:45 pm	
TOTAL ELAPSED TIME	3 hr 45 min	