
Installation instructions – Glue Down Hardened Wood XXL Flooring

woodura[®]

REINFORCED WOOD SURFACE TECHNOLOGY

Woodura[®] is a reinforced wood surface created by fusing a thin sheet of wood with a wood fiber core and a powder mix layer. The powder mix perfectly fills up the natural openings of the wood, enhances the wood appearance and creates a significantly stronger surface with a hardness about three times greater than a traditional solid wood layer.

www.woodura.com

valingeflooring.com

Installer/Owner Responsibility

It is extremely important that you read and understand this information completely prior to starting, since improper installation can void the warranties. It is the responsibility of the installer and owner to ensure that the job site environment, sub-floor and subsurface conditions involved meet or exceed all requirements as outlined in these installation instructions. Manufacturer declines all responsibility for product performance or installation failure due these environmental conditions not being met.

Carefully inspect ALL material prior to installation for defects. Material installed with visible defects is not covered under warranty. Flooring is manufactured in accordance with industry standards, which allows manufacturing and natural deficiency tolerances up to 5% of the total installation. Examine the flooring for color, finish and style before installation to insure you have the correct product.

Wood is a natural product that can vary in color, grain and contains natural characteristics that varies plank to plank and is to be expected. We do not warrant against these natural variations from plank to plank. If not satisfied with the flooring prior to installation, contact your dealer – DO NOT install the flooring.

Accepting or rejecting the material must be done prior to installation. Flooring warranties DO NOT cover materials with visible defects once they are installed.



Caution – Wood Dust

Cutting, sanding or machining wood products produces wood dust. While wood products are not hazardous under OSHA Hazard Communication Standard 29, the International Agency for Research on Cancer (IARC) and the state of California have classified wood dust as a human carcinogen.

***Precautionary Measures:** Equipment should be equipped with a dust collector to reduce airborne wood dust. Wear an appropriate NIOSH designated dust mask to reduce exposure to airborne wood dust. Avoid contact with eyes and skin. In case of irritation, flush eyes or skin with water for at least 15 minutes. In cases of severe irritation, seek immediate medical attention.*

Table of content

Pre-Installation & Jobsite Conditions

| | |
|------------------------------|---|
| Important | 4 |
| Subfloor | 4 |
| Underfloor heating..... | 4 |
| Room climate..... | 5 |
| Glue down installation | 5 |
| Recommended products | 5 |

Preparations

| | |
|--------------------------------|---|
| Check-list..... | 6 |
| Tools & Equipment needed | 6 |

Installation instruction

| | |
|----------------------------------------|----|
| Layout | 7 |
| Installation | 7 |
| Subsequent Rows | 9 |
| When angling is not possible | 10 |
| Installation around pipes/tubes..... | 10 |
| Dismantling of an installed plank..... | 11 |

After installation

| | |
|------------------------------|----|
| Installation treatment | 12 |
| Cleaning | 12 |
| Maintenance..... | 12 |

valingeflooring.com

The Woodura® word mark and 2G® / 5G® logos are registered trademarks owned by Vålinge Innovation AB and any use of such marks are under license.

Disclaimer: The colours of any flooring may differ in printed materials compared to the real product

Pre-Installation & Jobsite Conditions

Important

Read through the entire Glue down installation instruction carefully before you begin to install the floor.

- Read through the entire Glue down installation instruction carefully before you begin to install the floor.
- Välinge Hardened Wood XXL can be installed in all indoor areas and in most commercial areas, except it is not suitable for installation in humid/wet areas (bathrooms, saunas, etc).
- Välinge Hardened Wood XXL Flooring can be glued to any professionally installed subfloor. This includes concrete and screed, as well as chipboard or plywood boards.
- Transport and store the cartons horizontally. Unopened cartons should be acclimated at the jobsite in a dry, well-ventilated area for a minimum of 48 hours.
- During storage and installation, maintain a room temperature of at least 64°F (18°C) and a relative air humidity (RH) range from 35-65%.
- Open the packages while installing the floor.
- Mix planks from several packages before installation, in order to achieve the desired floor pattern.
- Check all planks in daylight before installation for recognizable faults in color and texture.
- Protective paper, without a polymer layer, successive placed over the floor surface during the installation.
- ***Please note that no tape should be attached to the floor.***
- All concerns regarding deviations on the product should be discussed with the supplier before installation.
- When a product is installed by yourself or a skilled craftsman, you as a buyer is considered to have approved the product.
- An installed plank is an approved product.

Subfloor

Hardened Wood XXL Flooring can be glued to any professionally installed subfloor. This includes concrete and screed, as well as chipboard or plywood boards.

Ensure that subfloor is level, flat, dry and clean. Any deflection in the subfloor greater than 1/16" over 6' length should be either smoothed with patching or leveling compound or ground/sanded down mechanically.

Concrete/slab subfloors:

The surface temperature of the sub-floor should be a minimum of 59°F (15°C).

- Subfloors of concrete max 80% relative humidity (RH) at 68°F (20°C).

Wood subfloors:

Prepare the subfloor for installation, re-nail any loose areas with squeaks. Sand or plane any high spots and fill any low areas.

- Moisture content of wood subfloors must be less than 13% Moisture Content (MC) at 68°F (20°C).

Install a Class I liquid impermeable vapor retarder over the slab when calcium chloride readings are greater than 3 pounds, relative humidity readings are greater than 80%, or calcium carbide readings are greater than 2.5%. In on- and below- grade applications, due to the ever- changing moisture variability with a concrete slab, and the likelihood of sub-slab moisture barrier degradation over time, a Class I impermeable vapor retarder is always recommended.

After any necessary improvements have been made to the sub-floor the Hardened Wood XXL Flooring is ready for installation in accordance with the appropriate standards and technical specifications.

📄 For more information about vapor diffusion retarders, please read: *NWFA Guidelines on Underlayments: Moisture Control* NWFA.org

Underfloor heating

Hardened Wood XXL Flooring can be installed on water based or electric floor heating systems. The underfloor heating system must be flat and well distributed in the subfloor. Both a room sensor (thermostat) and a floor sensor (for maximum temperature limitation) must be installed to prevent the surface temperature from exceeding 81°F (27°C). Underfloor heating must never be installed under kitchen cupboards or similar installations.

Water based floor heating systems with the pipes positioned in profiled particle floorboards with heat distributing aluminium sheets must be covered with a loadbearing profiled (i.e. tongue/groove) particleboard or plywood, in at least 0.47" (12 mm) thickness.

📄 *For more information about underfloor heating, please read: NWEA Guidelines on Radiant Heat Standards NWEA.org*

Room climate

Ambient climate for wood floors should be 35-65% relative humidity (RH) at 68°F (20 °C). At low RH, fine cracks can occur in the joints between the planks. The best way to control the climate is with an indoor air conditioner for temperature and vapour, especially during winter time. If given limits, for indoor climate parameters as temperature and relative humidity in the air (RH) at the floor level, is exceeded or falls short of, remarks on evenness, joint openings or board size cannot be reviewed.

The floor can be inspected when the room climate (temperature and RH) has been stable for at least four (4) weeks and has returned to normal values within the limits. Climate variations is quite natural and belongs to the hygroscopic material properties of wood and changes will quite or partly get back when the room climate conditions fulfill the requirements above. Floor heating means an additional drying of the wood flooring material which causes extra shrinking. During wintertime (heating period) the use of humidifiers are recommended.

Glue down installation

Hardened Wood XXL Flooring can be installed with full surface bonding using an approved adhesive as an alternative to floating installation. Please note that when installing floors with full surface bonding all floor installation instructions must be followed carefully at all times, as well as the general recommendations and instructions from the adhesive manufactures must be followed.

We recommend following products:

Bona: Bona Titan

Bostik: Bostik Maxi Bond Parquette

All of the products is an elastic 1-component silane adhesive for wooden floors.

When needing a moisture barrier we recommend to use the Bona R 590 together with the Bona products. For Bostik Maxi Bond Parquette please contact Bostik technical support for information.

The recommendation for adhesives are based on extensive testing by the manufacturers. We recommend that you test the adhesive carefully before installing flooring or contact the adhesive manufacturer's technical customer service by questions.

⚠ ***Note! We do not assume liability or warranty claims for any losses incurred in using an adhesive system improperly.***

- Always glued directly to the subfloor.
- Leave an expansion space of 5/16 - 3/8" (8-10 mm) between the floor and all walls.
- The tongue and groove must NOT be glued.
- No expansion breaks in the floor and is not limited in size.
- Do not apply more adhesive than can be "worked" in the course of 10 – 15 minutes.
- The adhesive is applied using a course toothed spatula. The dimension of the teeth of the spatula is important.
- To obtain a good final result it is very important to be precise in the installation of the first rows of planks. The planks are always placed in the adhesive in front of the previous row and pushed and rotated into place along the side and end of each plank.
- Immediately clean any adhesive spilled on wood flooring during installation. Follow adhesive manufacturer's recommendations.

Preparations



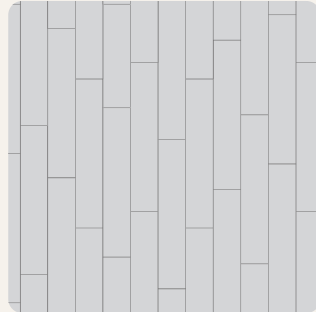
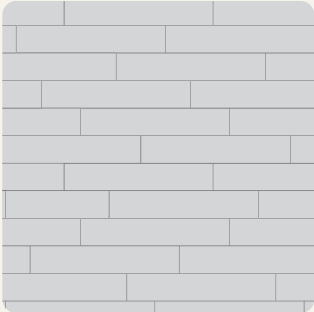
Check-list:

- Remove the old skirting boards
- Remove or cut off existing door casings before installing the floor
- Sweep or vacuum subfloor thoroughly
- Measure the room and calculate the number of rows required
- In narrow or long rooms, choose the installation direction to suit the room's proportions, usually length wise or in main light direction
- Do not open packages before installation starts!
- Inspect planks before installation and lay aside planks with defects
- **Tip:** Dry-lay first two rows to familiarize yourself with Hardened Wood XXL Flooring



Tools & Equipment needed:

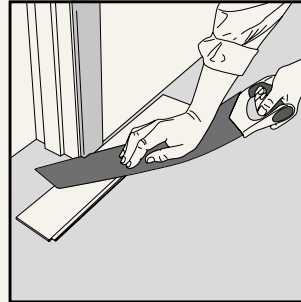
- Chalk line
- Straight edge
- Safety glasses and NIOSH approved Dust mask
- Recommended spatula from the adhesive manufacturer
- Wood flooring adhesive
- Expansion wedges
- Sliding mitre saw or jig saw or a laminate flooring guillotine such as Mega STRATICUT 400
- Metal or Diamond saw blade
- Fine pencil
- Ruler
- Set square 45° & 90°



Installation instructions

The long sides are connected by angling the tongue into the groove (where the lower lip has a locking tap). The short ends are connected with the Välinge patented 5G® Fold Down locking system as the tile is folded down.

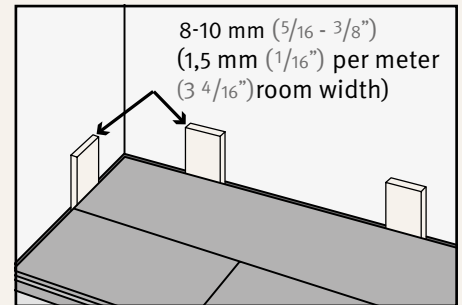
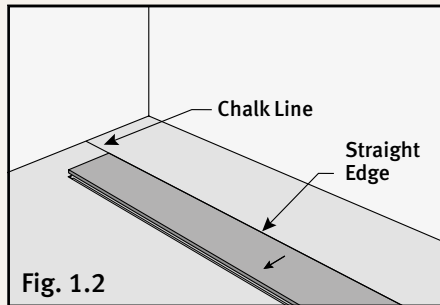
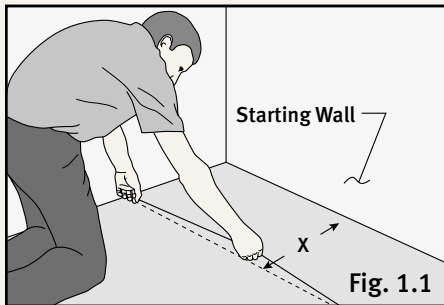
📺 Please watch: www.valingeflooring.com/downloads



Tip!

Door casings can be removed and moved up, but cutting them is usually easier. Use a loose plank as a template and saw off the lining. Make sure that the floor is not pressed between the subfloor and the frame.

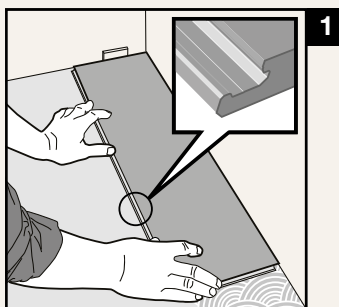
Step 1 - Layout



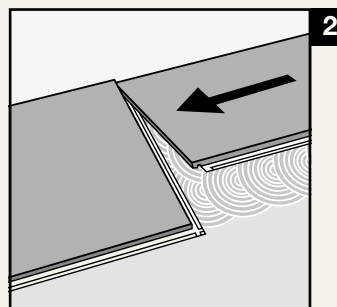
Using starting wall as reference, snap chalk line on subfloor at distance X from wall as shown in Fig. 1.1. Align straight edge with chalk line and secure to subfloor.

We recommend a clearance to the wall of min. 1/2" (8 - 10 mm). (1,5 mm per meter room width).

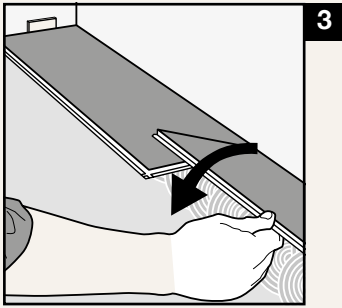
Step 2 - Installation



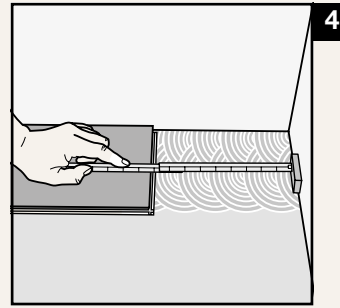
First plank, first row. Start in a left corner with tongue side facing wall and long groove side directly up against straight edge. Spread adhesive enough to cover one plank width. Use only as much adhesive as can be used during manufacturer's open time of adhesive.



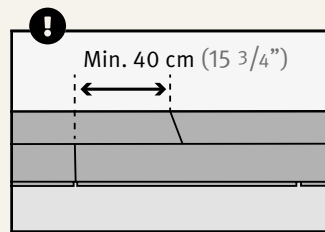
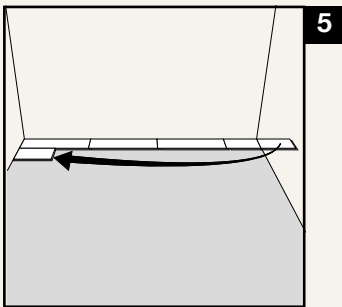
Second plank, first row. Place the plank gently and tight to the short end of the previous plank.



3 Fold the plank down in a single movement. Make sure the planks are tight against each other. Press down the plank.

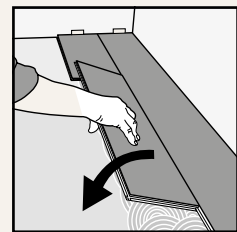
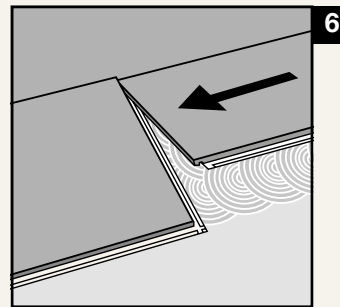


4 At the end of the first row, put a wedge to the wall and measure the length of the last plank to fit.

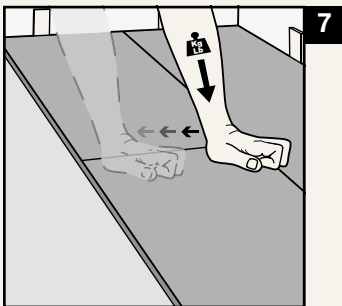


Start the second row with the off-cut from the first row.

! **Note!** It must be at least 16" (40 cm) between the short end joints of the planks.



6 Second plank, second row. Place the plank gently and tight to the short end of the previous plank. Fold the plank down in a single movement. Make sure the planks are tight against each other. Press down the plank.



! **Note!** Ensure that the short end is connected.

Note!

- After the first 2 - 3 rows have been installed, ensure expansion space between planks and walls are shimmed securely
- If recommended by adhesive manufacturer, roll flooring with 100 lb. roller to ensure contact between flooring and subfloor. Place weight (e.g., unopened cartons) along perimeters until adhesive sets up
- Remove straight edge

Step 3 - Subsequent Rows

Once starting rows are firmly in place, apply adhesive in a “wet lay” method. Do not apply more adhesive than can be used within open time of adhesive. Immediately place flooring in “wet” adhesive and proceed with installation.

- Start each row with cut off end of last plank from previous row.
- Ensure that is it at least 16” (40 cm) between plank joint at the short ends.
- Hardened Wood XXL Flooring can be laid from both directions according to need.

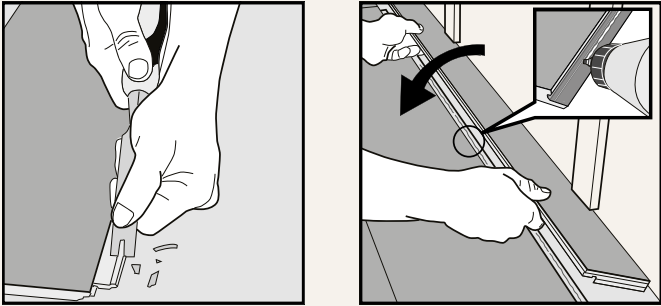
Tip!

- After first three rows are laid, have one installer work on installing flooring while others spread adhesive and cut planks as needed
- Installation of Hardened Wood XXL Flooring is easier while working on already installed flooring, as shown in Fig. 3.1
- Working in this manner lessens chance of accidentally transferring adhesive onto flooring surface, thereby reducing clean-up time



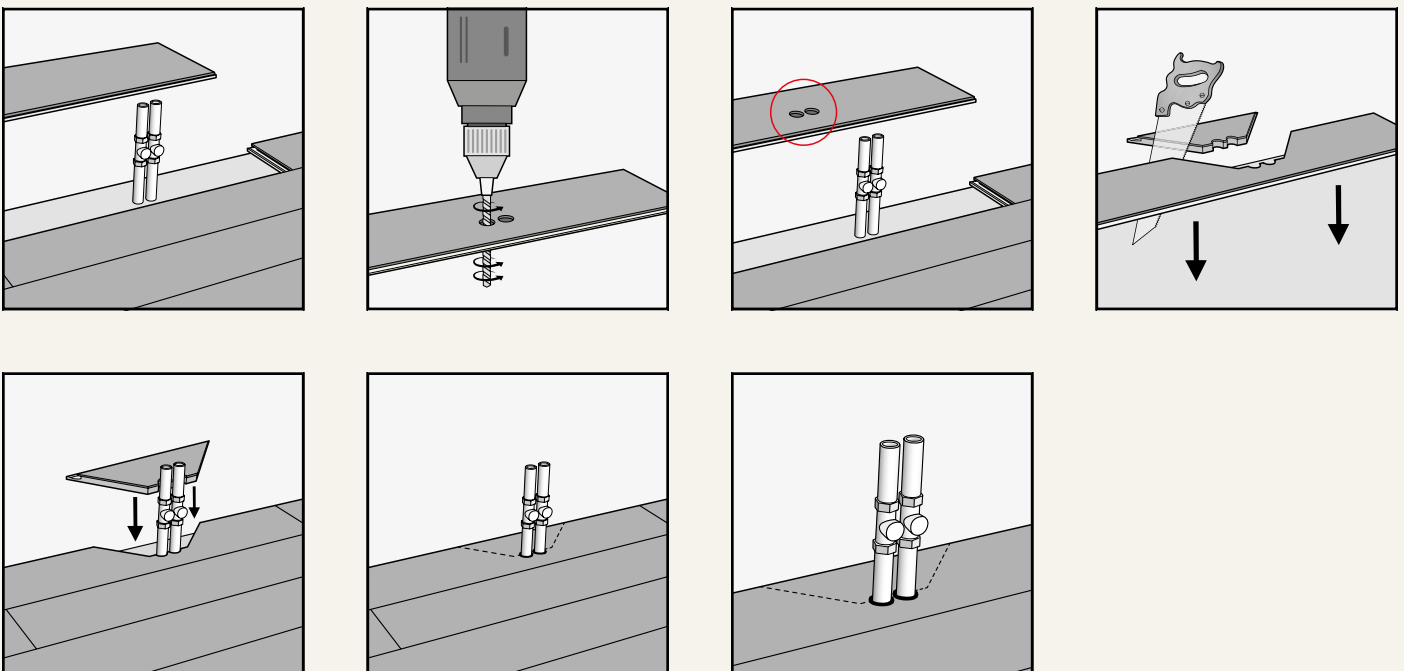
Fig. 3.1

When angling is not possible



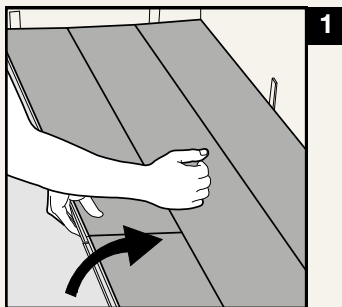
Remove the locking element/hook according to the picture.
Use white PVAc glue to connect the planks.
Press- place wedges between the glued plank and the wall.

Installation around pipes/ tubes

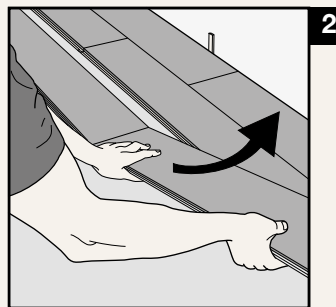


Mark the center point of the tubes on the plank. Drill holes 1" (20 mm) bigger than the tube diameter (if gap distance is chosen to be ½" (10 mm)). Cut according to the picture. Put white glue and replace the floor pieces. Cover the holes with pipe collars or fill with a joint sealer.

Dismantling of an installed plank



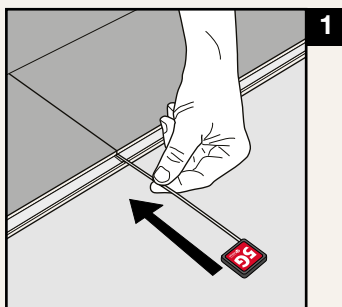
When a plank is locked, it is not possible to take it up by hand. Separate the whole row by carefully lifting up and slightly knocking just above the joint. Fold and release the whole long side.



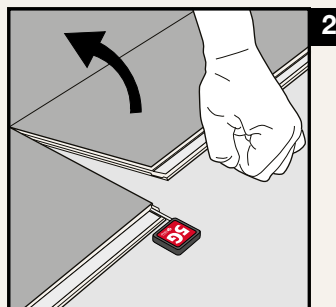
After the whole long side is released you can disassemble each plank by angling the short sides up vertically.

How to use the dismantling tool

Another way to disassemble the plank is by using our 5G dismantling tool.



Put the dismantling tool into the space between the tongue and groove on the short end of the plank. Push the dismantling tool forward.



The plank is now loose and you can easily lift the plank up.

After Installation

- Remove expansion wedges.
- Keep foot traffic to absolute minimum until adhesive is fully cured. Wait at least 24 hrs. before placing furniture back in room and resuming normal traffic.
- Carpets should not be placed on the floor during the first months after installation. If there are already lighter parts from rugs etc, they change color quickly when exposed to daylight.
- Protective felt pads are recommended under furniture legs and protective carpets under caster chairs with hard wheels.
- Always use protective entrance carpets

Installation treatment

Pre lacquered Hardened Wood XXL floors does not need any surface treatment after installation. But we recommend to clean the floor before using it. Use a Hardwood floor cleaner for lacquered wood floors (e.g Bona Hardwood Floor Cleaner).

! *Note! Use detergent specially developed for UV Acrylic Wear Layer Hardwood floors. Normal soap may form a fat coating on the surface wich makes the floor more difficult to clean.*

Daily cleaning

For daily cleaning use mainly dry methods, such as vacuum cleaner, dust mop or microfiber mop. Stains/dirt can easily be removed by using a magic melamin sponge.

Regulary

Clean the surface with a microfiber cleaning pad and a Hardwood floor cleaner for lacquered wood floors (e.g Bona Hardwood Floor Cleaner) to clean the floor.

Maintenance

If necessary, a Hardwood Wood Floor refresher for lacquered wooden floors (e.g Bona Hardwood Floor Refresher) can be used to freshen up the surface and remove micro scratches.

Refresher is used to restore the surface of a well used lacquered floor and gives a protective layer that simplifies cleaning and maintenance. The Refresher is not a substitute for refinish.

! *Note! When using Hardwood Floor Refresher the gloss value is increased on lacquered floors. The more layer you put on, the gloss level gets higher. This becomes extra clear on matt lacquered floors. The floor to be treated should be clean and free from polish, wax and possibly grease stains.*

📄 *For further information about installation treatment and maintenance please read the Care and Maintenance instructions for Flooring with Woodura surface at.*

<https://woodura.com/downloads>



The Woodura® word mark and 2G® / 5G® logos are registered trademarks owned by Välinge Innovation AB and any use of such marks are under license.



valingeflooring.com